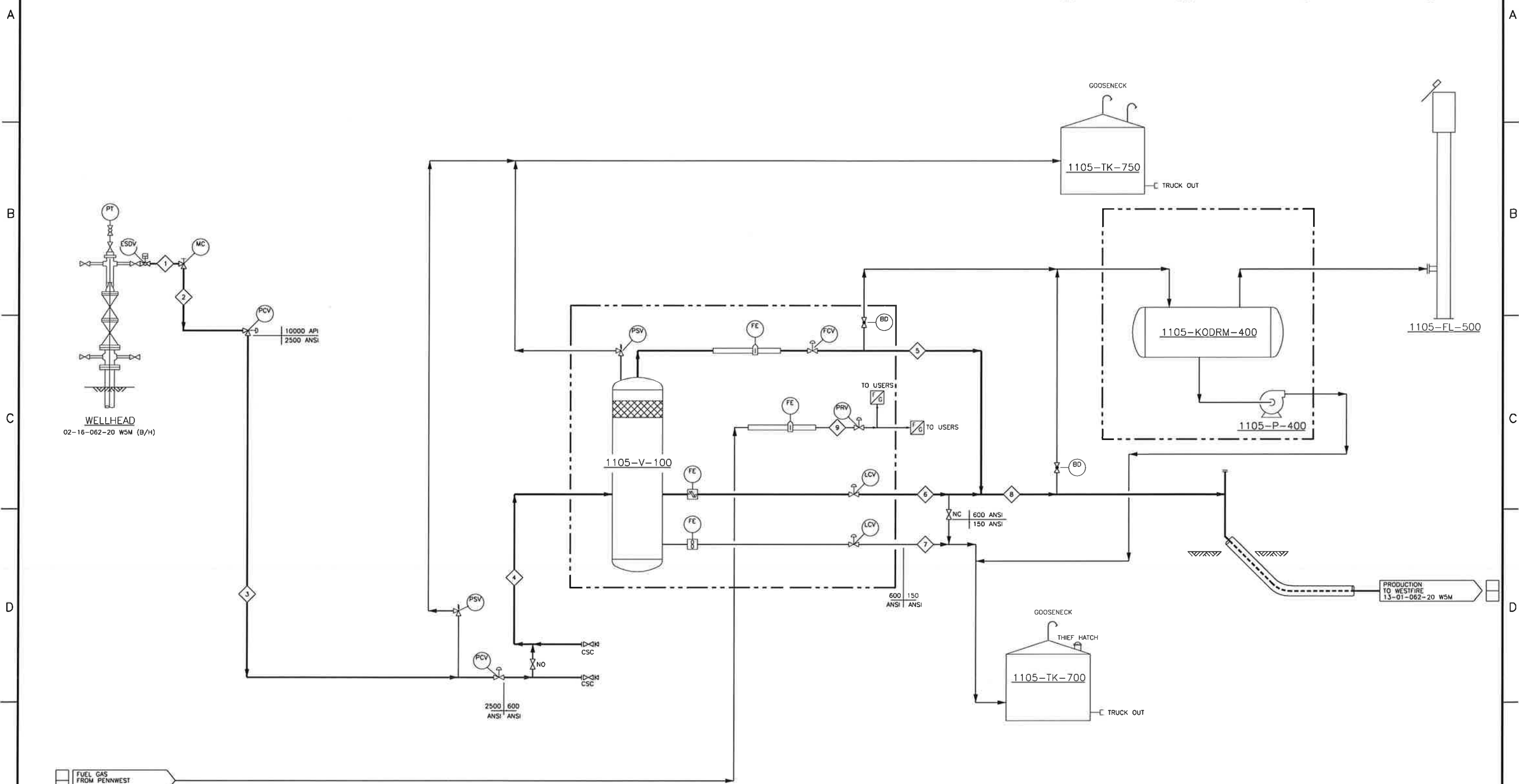


1 2 3 4 5 6 7 8 9



NOTES:

REV. NO.	DESCRIPTION	BY	DATE	CHECKED	ENG.	APPROVAL
3	AS-BUILT (KDE1105OEXMOC00027, STANTEC #110617024-1930.4)	WEL	14.08.18	DDT	GBF	MN
2	AS-BUILT (KDE1105OEXMOC00001, STANTEC #110616367)	BMM	13.09.16	KW	JA	ET
1	IFC (KDE1105OEXMOC00001, STANTEC #110616367)	RK	13.05.24	SER	NCJ	ET
0	ISSUED FOR CONSTRUCTION (STANTEC #110616199)	IJ	13.02.06	IJ	NCJ	SB

DWG. NO.	DRAWING TYPE	REV. NO.	DESCRIPTION
	REFERENCE DRAWINGS		

DATE	BY	DESCRIPTION
12.04.25	JC	DRAWN
12.04.25	SB	CHECKED
12.04.25	SB	ENG.

KAYBOB DUVERNAY EXPLORATION

02-09-062-20 W5M
WELLSITE

PROCESS FLOW DIAGRAM

ACAD. NO. KDE1105PFD00001 DWG. NO. KDE-1105-PFD-00001 REV. 3